

Hi-Flo Jet Nozzles



Features

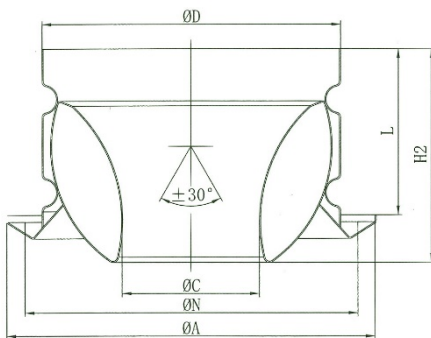
- Aluminium alloy construction.
- Long flow characteristics.
- High air handling capacity.
- Eyeball type core rotation.
- Easy to install and adjust.
- Multiplier outlet arrangement.

Finish

- Aluminium alloy construction.
- Standard finish is white baked enamel. Special colour finishes or special anodize finish are available.

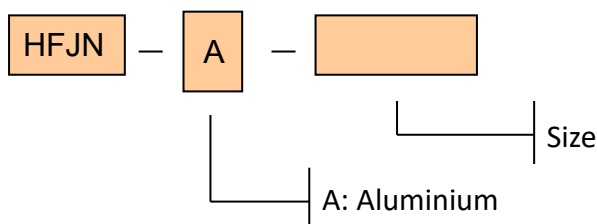
Model HFJN jet nozzles are designed to handle high air flow & provide relatively long throws which makes them particularly suitable for conditioning of large spaces such as halls, auditorium, terminal buildings, warehouses and shopping mall.

Dimension



Size	ΦA	ΦC	ΦD	H2	L
100	140	46	98	84	71
125	171	60	122	96	80
160	210	79	157	120	94
200	266	105	198	145	107
250	316	128	248	178	128
315	390	164	311	233	165
400	495	210	396	282	212

Order Code



Performance Data

Size	Throw Distance									Terminal Velocity m/s
	10m			20m			30m			
	Flow l/s	LWNC NC	Δ pt Pa	Flow l/s	LWNC NC	Δ pt Pa	Flow l/s	LWNC NC	Δ pt Pa	
100	-	-	-	26	23	80	39	35	185	0.25
125	-	-	-	34	22	75	50	30	135	
160	23	<20	12	46	<20	45	69	28	100	
200	29	<20	<10	61	<20	28	85	20	52	
250	37	<20	<10	76	<20	<10	106	<20	35	
315	50	<20	<10	98	<20	<10	150	<20	23	
400	65	<20	<10	129	<20	<10	195	<20	12	
100	26	23	80	52	45	330	-	-	-	0.5
125	34	22	75	68	40	270	-	-	-	
160	46	<20	45	92	37	170	138	49	350	
200	61	<20	28	121	31	105	182	44	240	
250	76	<20	<10	152	26	65	229	39	140	
315	98	<20	<10	195	20	45	293	32	95	
400	129	<20	<10	258	<20	21	387	26	50	
100	52	45	330	-	-	-	-	-	-	1.0
125	68	40	270	-	-	-	-	-	-	
160	92	37	170	-	-	-	-	-	-	
200	121	31	105	-	-	-	-	-	-	
250	152	26	65	305	47	250	-	-	-	
315	195	20	45	390	41	165	-	-	-	
400	258	<20	21	516	35	90	773	47	160	

LWNC is noise criteria rating of sound power level spectrum